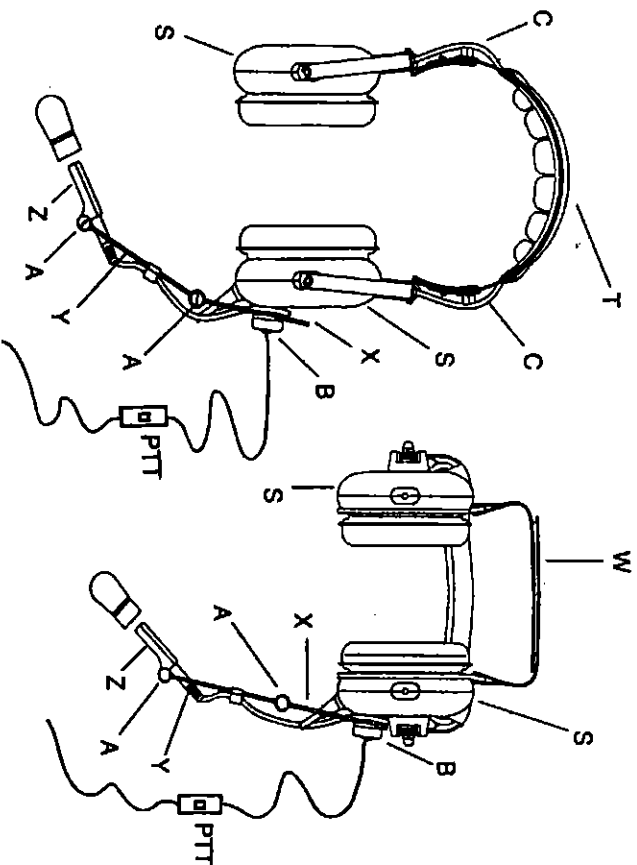


Installation

- (1) Turn off radio.
- (2) Align headset connector with radio accessory connector and plug in.
- (3) If applicable, install appropriate accessory clamp.
- (4) The radio and headset are now ready for use.



Operation

Microphone position is adjusted by moving arms (X), (Y), and (Z) to place the microphone within 1/2" of the front and toward the side of the mouth. The position can be secured or loosened by adjusting thumbscrews (A) and screw (B).

For over-the-head models, earcup position is adjusted by sliding the earcup (S) up or down the overhead band (T). The position can be secured or loosened by adjusting nuts (C).

For behind-the-head models, earcup position is adjusted by pulling the two overhead straps (W) apart and pressing them back together at the desired position.

Replacement Parts

Over the life of the headset, replacement of parts such as the foam microphone windscreen and foam earpad cushions may be necessary (Table 2).

Replacement Parts	
Description	Part Number
Microphone Windscreen (5)	C807007-05
"O" Ring for Windscreen (5)	C807006-05
Earpad Cushions (2)	C807009-02
Cloth Cover for Earpad Cushions (2)	C807008-02

Table 2

NEW

Kenwood Noise-Attenuating Headsets now have a lower profile plug compatible with the accessory clamp supplied with the radio.

Replacement or optional parts may be ordered from:

OTTO Communications, 2 E. Main St., Carpentersville, IL 60110
888-234-6886, 847-428-7171 or Fax 847-428-1956.

The product is covered by Kenwood's one year warranty.

For warranty information or customer support, please contact

Kenwood at the address listed on the last page.

Kenwood Systems, Inc.
4317 A FM 2351 Friendswood, TX 77546
Phone: 800-878-6546 Fax: 281-996-4795

Kenwood Electronics Canada, Inc.
6070 Kestrel Road Mississauga, Ontario L5T1S8
Phone: 905-670-7211 Fax: 905-670-7225

Kenwood Communications Corporation
8410 NW 53rd Terrace, Suite 120
Miami, FL 33166
Phone: 305-463-9505 Fax: 305-463-9506

Kenwood Electronics Benelux N.V.
Mechelsesteenweg 418, B-1030
Zaventem, Belgium
Phone: 322-7579060 Fax: 322-7579140

Kenwood Electronics Deutschland GmbH
Rembucker Strasse 15
63150 Heusenstamm, Germany
Phone: 49 (0) 6104-6901-87 Fax: 49 (0) 6104-6901-140

Kenwood Electronics UK Limited
Kenwood House, Dwight Rd.
Watford, Herts WD1 8EB
United Kingdom
Phone: 44 (0) 1923 655289 Fax: 44 (0) 1923 655297

Kenwood Electronics France S.A.
13, Boulevard Ney, 75018 Paris, France
Phone: 33(0)144721616 Fax: 33(0)144721640

Kenwood Electronics Italia S.p.A.
Via G. Sirtori 7/9, 20129 Milano, Italy
Tel: 39(02)204821 Fax: 39(02)29516281

Kenwood Ibérica, S.A.
Bolivia, 239, 08020 Barcelona, Spain
Tel: 34(93)3074712 Fax: 34(93)2660235

804045
11/05

KENWOOD

NOISE-ATTENUATING HEADSETS

The Kenwood Noise Attenuating Headsets for Two-Way Radio communications feature:

- 24 dB Noise Reduction Rating (NRR)
- Flexible boom with noise-canceling electret mic
- In-line push-to-talk switch (PTT)
- Available in two styles-
Over-the-head style for use in most applications, and
Behind-the-head style for use with protective headgear
- Microphone windscreen



Over-The-Head Style



Behind-The-Head Style

Kenwood Communications Corporation
P.O. Box 22745 (mail)
2201 E. Dominguez St. (ship to)
Long Beach, CA 90801-5745
Phone: 800-752-0986 Fax: 310-761-8246